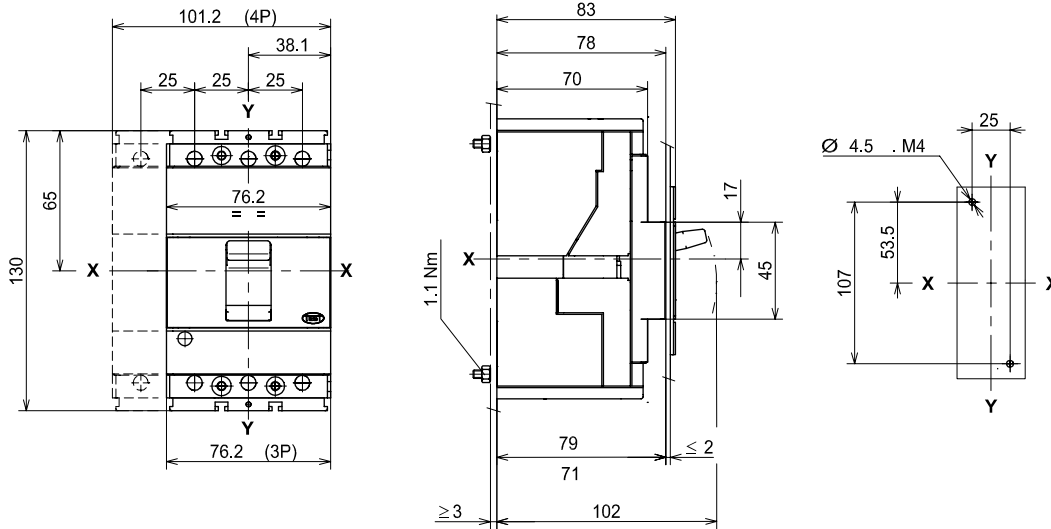
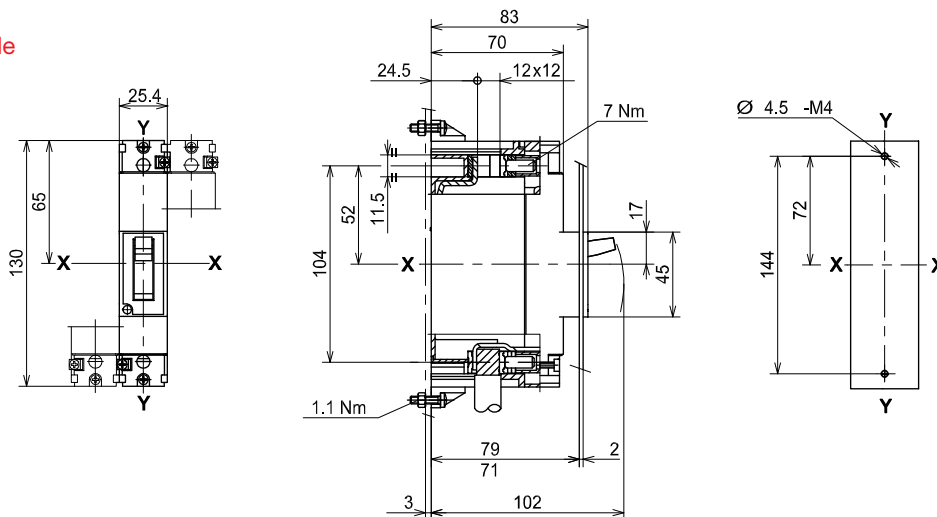


Approximate dimensions T1 & T2

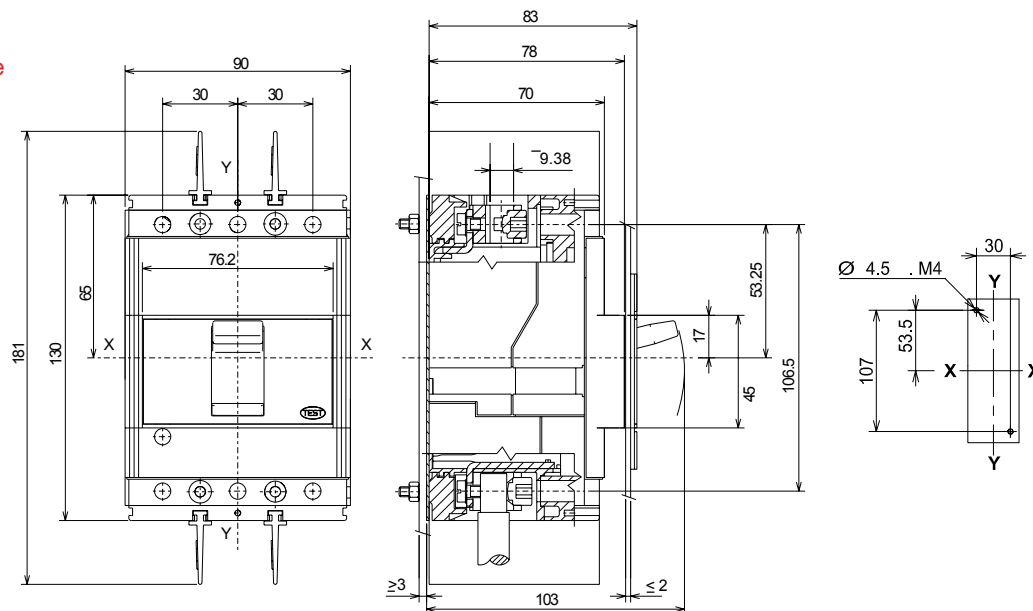
T1 — 3 pole



T1 — Single pole



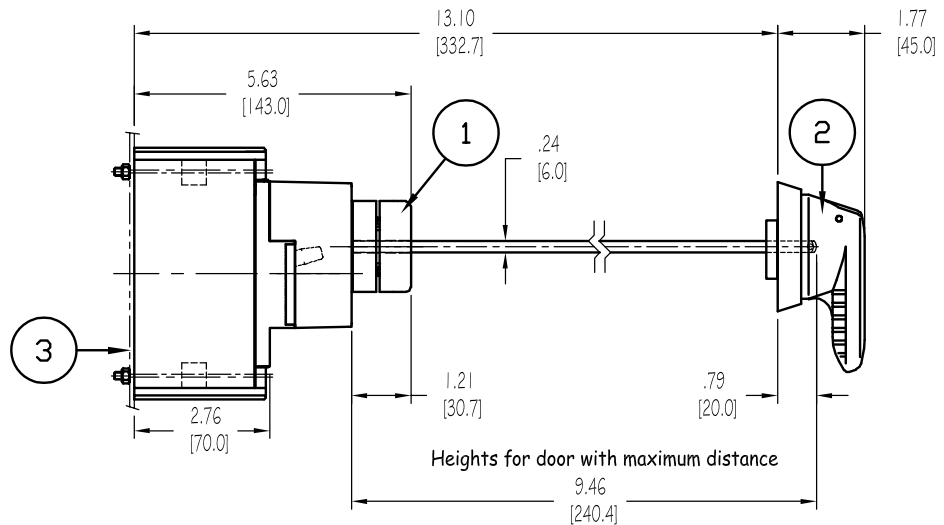
T2 — 2 & 3 pole



Approximate dimensions T1 - T3 Variable depth mechanism with OHB handle

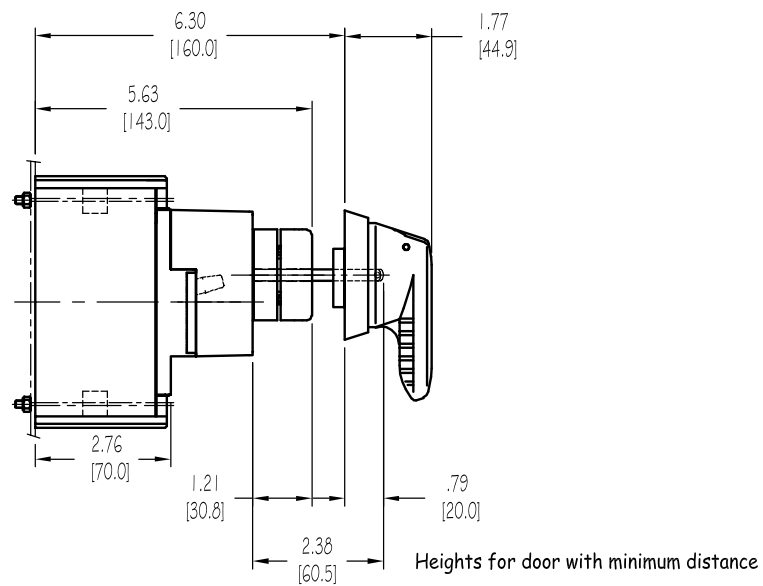
Tmax
MCCBs

Pistol handle operating mechanism on the compartment door



Caption

- ① Transmission unit
- ② Pistol handle operating mechanism on the compartment door
- ③ Insulating plate



Drilling template of the compartment door

A	
T1 - T2	T3
0.55 [13.97]	0.37 [9.4]

